

KEY FEATURES

- Excellent power handling (300 W RMS)
- High sensitivity (93 dB)
- Designed for subwoofer applications

TECHNICAL SPECIFICATIONS

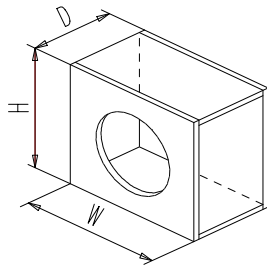
Nominal diameter	250 mm. 10 in.
Nominal impedance	4 ohms
Power handling / Max. power	300 W RMS / 900 W
Sensitivity	93 dB 1w @ 1m
Frequency range	45 - 2000 Hz
Voice coil diameter	77 mm. 3 in.
Bl factor	13.8 N/A
Moving mass	0.062 Kg.

THIELE-SMALL PARAMETERS

Resonance frequency, f_s	42 Hz
D.C. resistance, R_e	3 ohms.
Mechanical quality factor, Q_{ms}	6.01
Electrical quality factor, Q_{es}	0.25
Total quality factor, Q_{ts}	0.24
Equivalent air volume to C_{ms} , V_{as}	45 l
Efficiency, η (%)	1.3
Effective surface area, S_d	380 cm ²
Maximum displacement, X_{max}	6 mm.
Displacement volume, V_d	260 cm ³
Voice coil inductance, L_e @ 1 kHz	1.2 mH

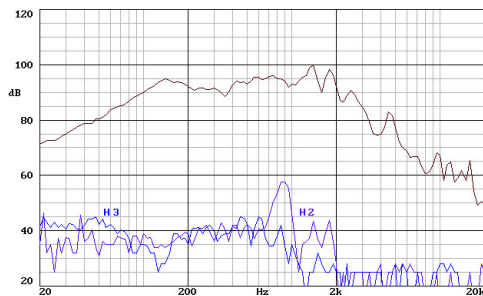
CLOSED BOX

Vol = 20 liters 0.71 ft³
 H = 340 mm. 13.39 in.
 W = 420 mm. 16.54 in.
 D = 210 mm. 8.27 in.
 Wall thickness = 19 mm. 0.75 in.



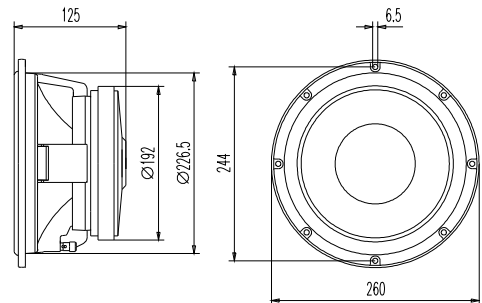
Note: the dimensions are external

FREQUENCY RESPONSE



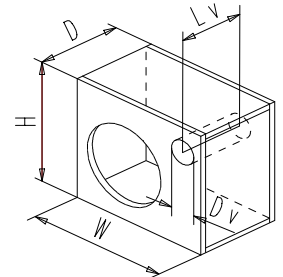
Note: on axis frequency response measured with loudspeaker standing on infinite baffle in anechoic chamber, 1w @ 1m.

DIMENSION DRAWINGS



VENTED BOX

Vol = 25 liters 0.88 ft³
 H = 360 mm. 14.17 in.
 W = 460 mm. 18.11 in.
 D = 220 mm. 8.66 in.
 Wall thick. = 19 mm. 0.75 in.
 No. of vents = 1
 Dv = 75 mm. 2.95 in.
 Lv = 101 mm. 3.98 in.



Note: the dimensions are external

FREE AIR IMPEDANCE

